



Industry: Agriculture

- An agribusiness and food ingredient company was in desperate need of a drive pulley for a bucket elevator.
- Martin manufactured a made-to-order pulley within 24 hours.

Documented Cost Savings - \$12,000



Product

Martin sets the standard when it comes to pulleys. Martin stocks more pulleys in more sizes than any other manufacturer. In addition, Martin offers same-day re-bores, alterations and made-to-order pulleys in days not weeks.

The Martin brand is synonymous for reliable pulleys made from quality North American steel.

Common Applications

Agriculture, cement & aggregate, HVAC, oil & gas, food & beverage, mining, pulp & paper, lumber & wood, wastewater.

Challenge

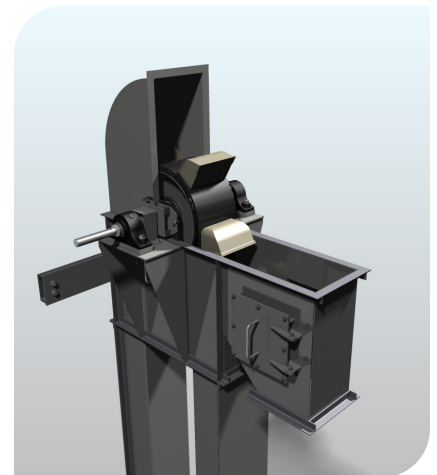
- An agribusiness and food ingredient company needed a replacement mine duty lagged drum pulley for a bucket elevator.
- The OEM could not deliver a replacement pulley quickly and would result in a significant loss of production.

Solution

- Martin manufactured a made-to-order pulley in 24 hours and was able to get it on the courier to get back to the customer back up and running.

Impact

- Martin's ability to manufacture made-to-order products quickly eliminates unnecessary downtime and lost production.



Bottom-line Results

Documented Cost Savings - \$12,000

Learn more about Martin and power transmission & material handling solutions at:
martinsprocket.com • 817.258.3000